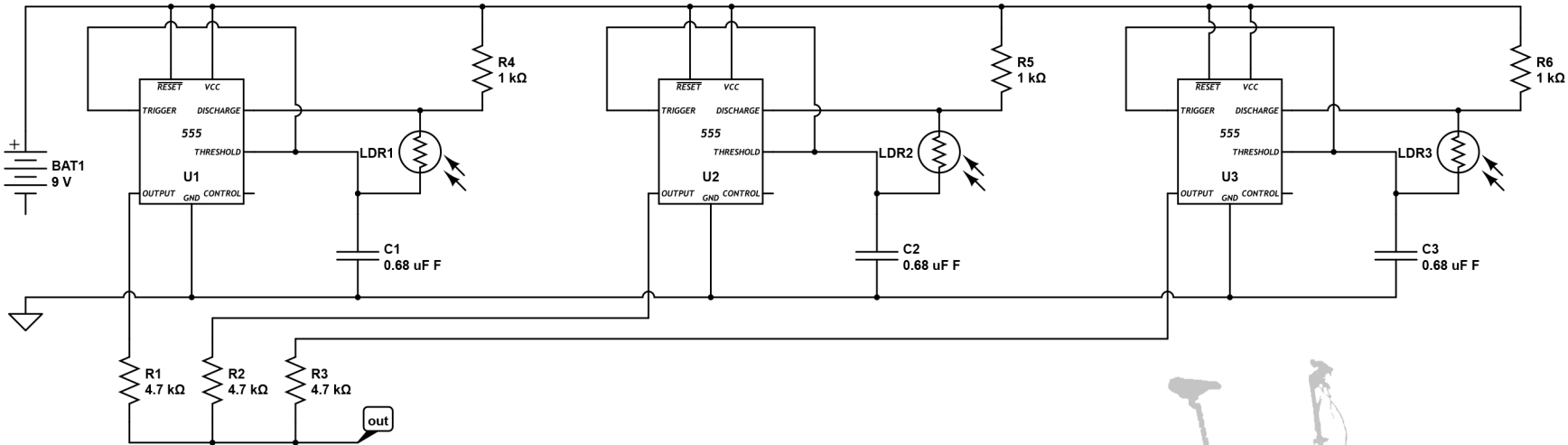


Bikestra 555 noise generator circuit, using photoresistors



Components

U1-3: 555 Timer chip

C1-3: 0.68μF ceramic capacitor

R4-6: 4.7 k resistor

R1-3: 1k resistor

LDR1-3: Photoresistor (your choice! try many different ones)

9 volt battery

